

REF. 240

STAINLESS STEEL Y STRAINER FLANGED PN16



Size : DN 15 to DN 200
Ends : Flanged R.F.GN16
Min Temperature : - 20°C
Max Temperature : + 180°C
Max Pressure : 16 Bars
Specifications : Removable stainless steel filter
Bolted bonnet with draining cap

Materials : Stainless steel

STAINLESS STEEL Y STRAINER FLANGED PN16

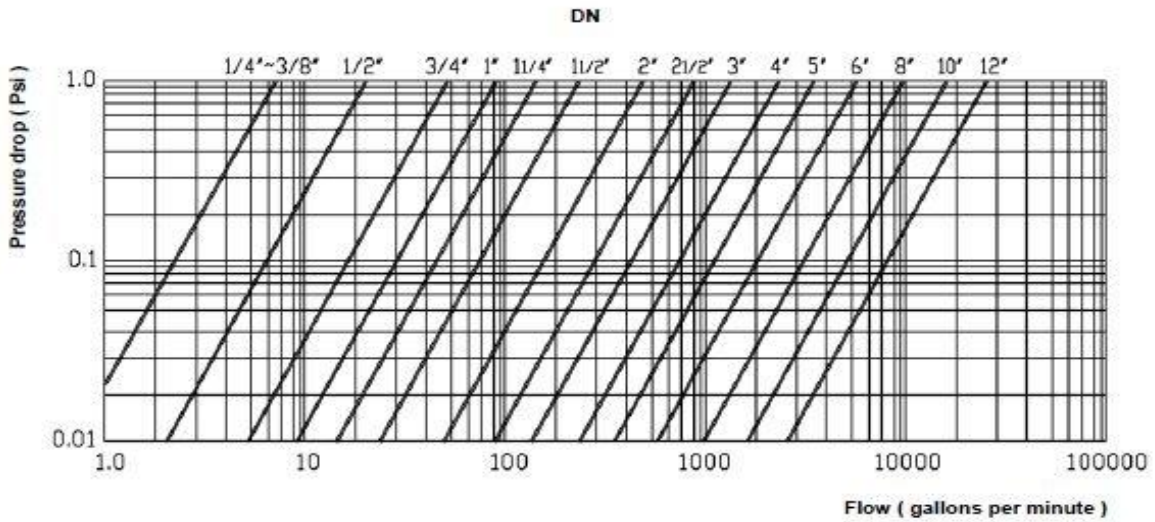
SPECIFICATIONS :

- Removable stainless steel filter
- Flanged R.F. GN16
- Horizontal or vertical position with descendant fluid (respect the flow direction indicated by the arrow)
- Mesh 8/10^o mm (800 μ) up to DN 50 , 10/10^o mm from DN 65 to 80 and 30/10^o over
- Bolted bonnet with draining cap threaded BSP

USE :

- For common fluids of 2nd group
- Min Temperature Ts : - 20°C
- Max Temperature Ts : + 180°C
- Max Pressure Ps : 16 bars (see graph)

HEAD LOSS :



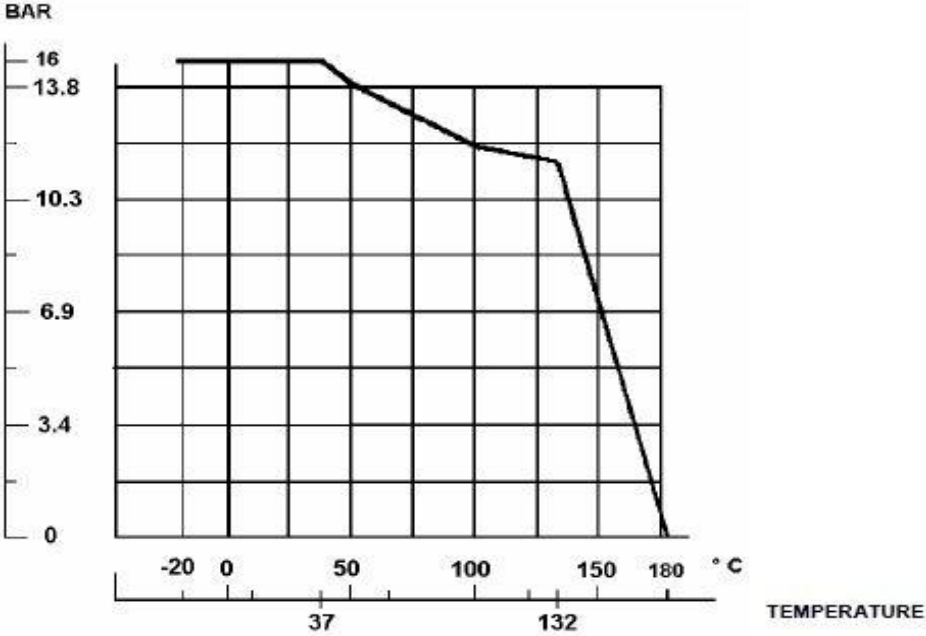
1 Psi = 0.069 bar

1 gallon = 3.8 litres

REF. 240

STAINLESS STEEL Y STRAINER FLANGED PN16

PRESSURE / TEMPERATURE GRAPH :



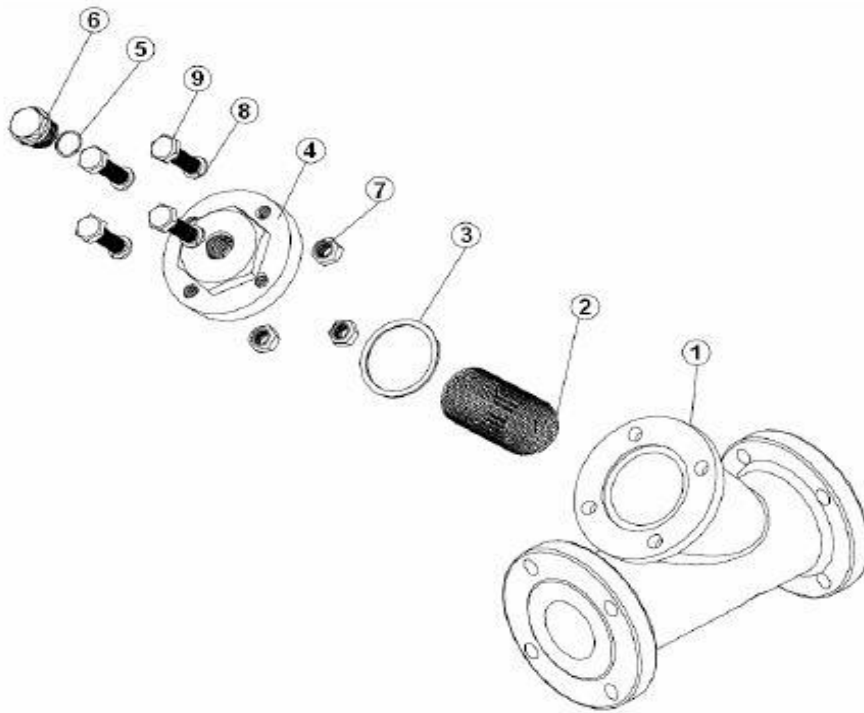
RANGE :

- Flanged R.F. GN16 from DN 15 to DN 200 Ref.240

REF. 240

STAINLESS STEEL Y STRAINER FLANGED PN16

MATERIALS DN 15 – 50 :

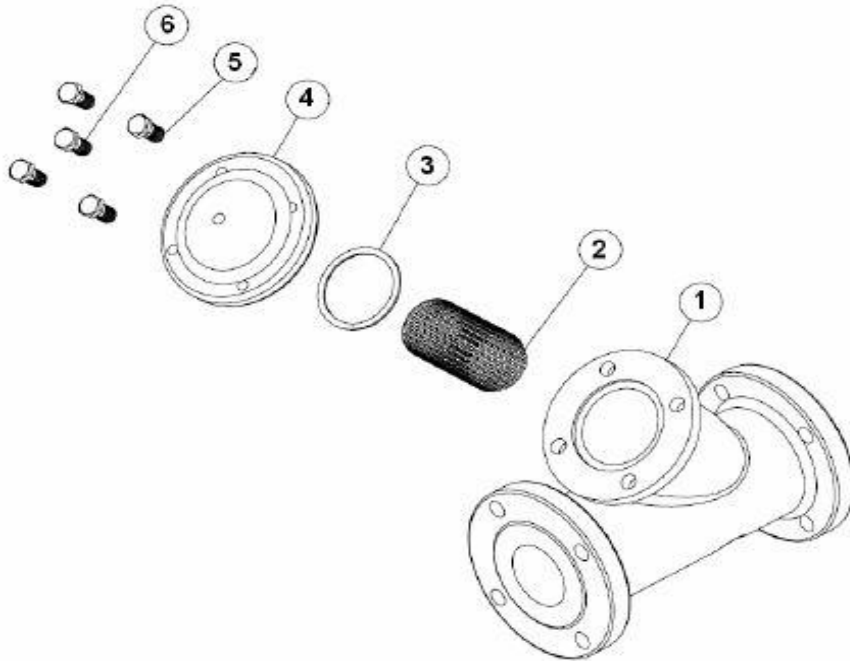


Item	Designation	Materials
1	Body	ASTM A351 CF8M
2	Filter	SS 316
3	Gasket	PTFE
4	Bonnet	ASTM A351 CF8M
5	O-ring	FKM
6	Cap	ASTM A351 CF8M
7	Nut	SS 304
8	Washer	SS 304
9	Screw	SS 304

REF. 240

STAINLESS STEEL Y STRAINER FLANGED PN16

MATERIALS DN 65 – 200 :



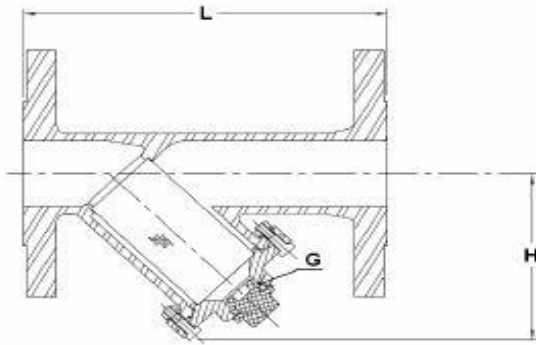
Item	Designation	Materials
1	Body	ASTM A351 CF8M
2	Filter	SS 304
3	Gasket	PTFE
4	Bonnet	ASTM A351 CF8M
5	Screw	ASTM A193 Gr.B8
6	Cap	ASTM A351 CF8

REF. 240

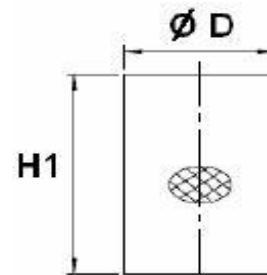
STAINLESS STEEL Y STRAINER FLANGED PN16

SIZE (in mm) :

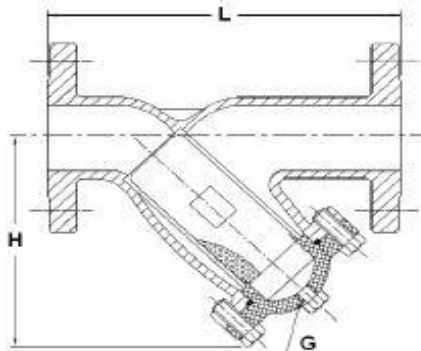
DN 15 - 50



Filter size :



DN 65 - 200



	DN	15	20	25	32	40	50	65	80	100	125	150	200
Ref.	L	130	150	160	180	200	230	290	310	350	400	480	630
	H	62	68	80	92	102	118	180	200	240	300	330	400
240	G (cap)	3/8"	3/8"	3/8"	3/8"	3/8"	1/2"	3/4"	1"	1 1/2"	2"	2"	2"
	Ø D	19	24	32.5	36	44	54	63	81	92	130	150	210
	H1	49	55	58	74	82.5	96	149	179	194	246	273	322
	Weight (Kg)	1.9	2.6	3.44	4.93	6.26	8.15	14.1	18.3	26.9	47	58.4	90.8

REF. 240

STAINLESS STEEL Y STRAINER FLANGED PN16

STANDARDS :

- Fabrication according to ISO 9001
- DIRECTIVE 97/23/CE : CE N° 0035
Risk category I from DN32 to DN50
Risk category II from DN65 to DN200
- Construction according to EN 12516-1
- Tests according to EN 12286
- Length according to DIN 3202 – NF 29354
- Flanged R.F. according to EN 1092-1 PN16
- ATEX Group II Category 2 G/2D Zone 1 & 21 Zone 2 & 22 (optional marking)

INSTALLATION POSITIONS :

Vertical position (descendand fluid)



Horizontal position

