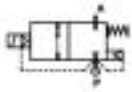


## 2/2 WAY PILOT OPERATED SOLENOID VALVE, G 1 1/4" ÷ G 2"



normally closed

TYPE: D223/224/225

### TECHNICAL SPECIFICATIONS

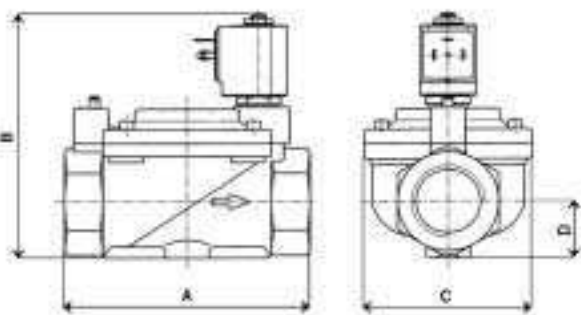
Media:	water, oil, air
Media temperature:	-10°C ÷ +90°C
Ambient temperature:	-10°C ÷ +50°C
Body material:	brass (CW617N EN 12165)
Operator material:	stainless steel
Operator seal material:	NBR
Seal and diaphragm material:	NBR
Coil power:	AC 18VA (holding) AC 36VA (inrush) DC 14W
Protection class:	IP 65 (with connector)
Speed control screw	as standard



### OPTIONS

Normally open (Ex. code RD224DBK) with coils class "H" only
Manual override (Ex. code D223DBKM)
EPDM seal for air and hot water MAX 120°C (Ex. code D223DEK)
FKM seal for air, water, oil MAX 130°C (Ex. code D223DVK)

SELECTION TABLE	VALVE	G connection	Nominal Diameter	Flow rate kvs	OPD		COILS		
					min	max	Code	[Volts/Hz]	
	Code	[ISO 228]	[mm]	[l/min]	[bar]	AC [bar]	DC [bar]	Code	[Volts/Hz]
	D223DBK	1 1/4"	40	370	0.5	16	16	7250	24V DC
	D224DBK	1 1/2"	40	400	0.5	16	16	7200	24V 50/60Hz
	D225DBJ	2"	50	540	0.5	16	16	7400	110V 50Hz - 120V 60Hz
								7600	200V 50Hz - 220V 60Hz
								7700	230V 50Hz - 240V 60Hz



DIMENSIONS & WEIGHTS	G connection	A	B	C	D	weight
	[ISO 228]	[mm]	[mm]	[mm]	[mm]	[Kg]
	1 1/4"	140	140	96	31	2.8
	1 1/2"	140	140	96	31	2.8
	2"	168	158	112	39	3.9