

**REF. 235**

**CARBON STEEL Y STRAINER PN 40**



Size : DN 15 to DN 200  
Ends : Flanged GN25/40  
Min Temperature : - 20°C  
Max Temperature : + 400°C  
Max Pressure : 40 Bars  
Specifications : Stainless steel removable filter  
Bolted bonnet with draining cap

Materials : Carbon steel

**REF. 235**

**CARBON STEEL Y STRAINER PN 40**

**SPECIFICATIONS :**

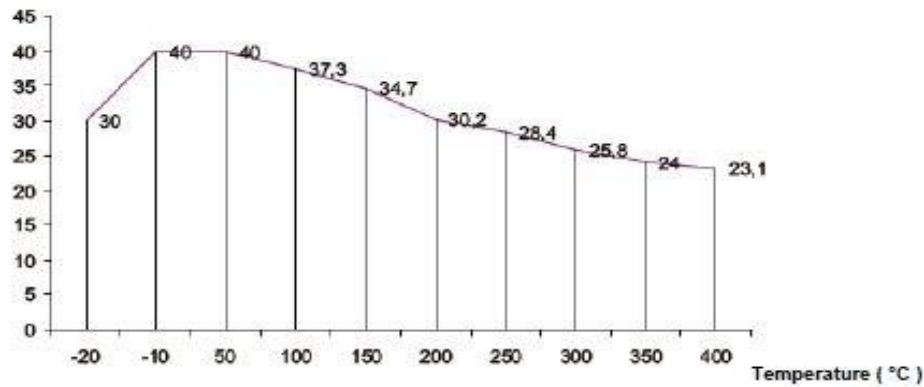
- Removable stainless steel filter
- R.F. Flanged GN25/40 , GN40 for DN200
- Horizontal or vertical position with descendant fluid (respect the flow direction indicated by the arrow)
- Mesh 1mm up to DN 50 , 1.25 mm from DN 65 to 80 and 1.6 mm over
- Bolted bonnet with draining cap threaded BSP

**USE :**

- For all common fluids
- Min Temperature Ts : - 20°C
- Max Temperature Ts : + 400°C
- Max Pressure Ps : 40 bars ( see graph )

**PRESSURE / TEMPERATURE GRAPH ( STEAM EXCLUDED ) :**

Pressure ( Bar )

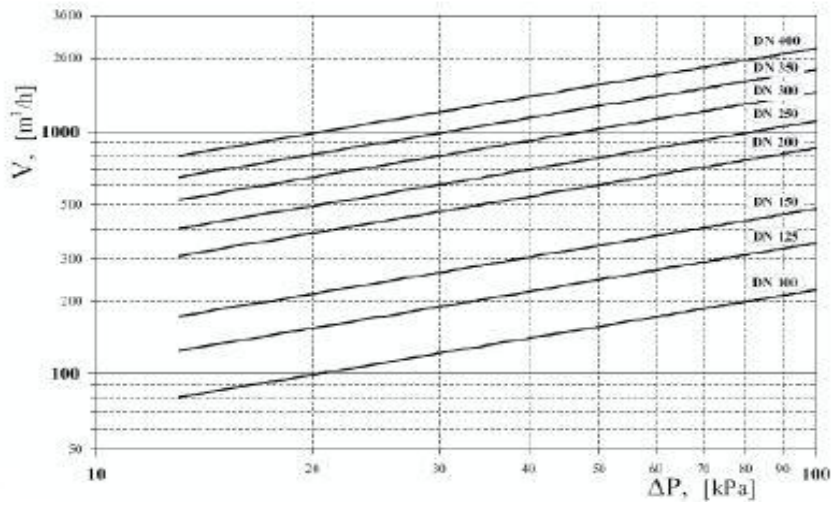
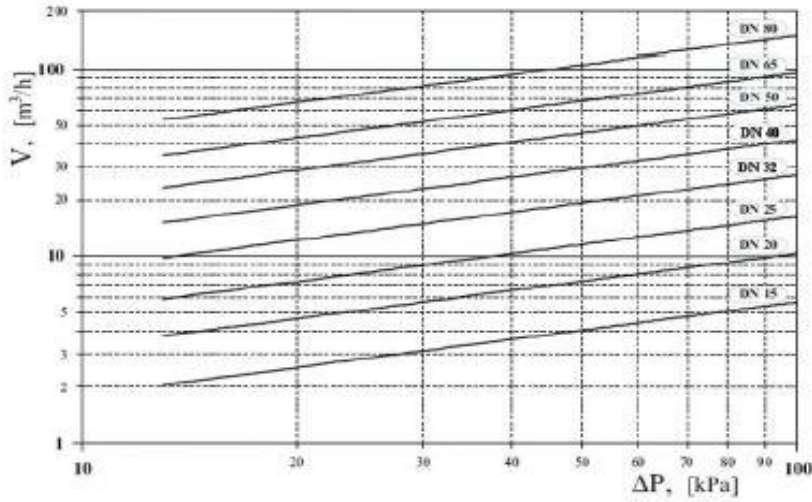


**FLOW COEFFICIENT Kv ( M<sup>3</sup> / h ) :**

DN	16	20	25	32	40	50	65	80	100	125	160	200
Kv ( m <sup>3</sup> /h )	6.7	10.4	18.4	27.3	42	64.7	98	149	234	378	464	863

CARBON STEEL Y STRAINER PN 40

HEAD LOSS :



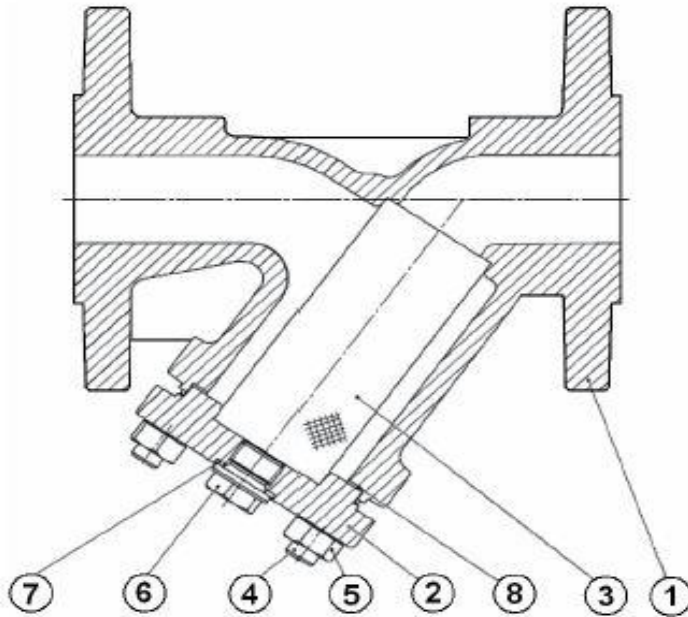
**REF. 235**

**CARBON STEEL Y STRAINER PN 40**

**RANGE :**

- Carbon steel flanged R. F. GN25/40 DN 15 up to DN 150 and GN40 for DN200 Ref.235

**MATERIALS :**

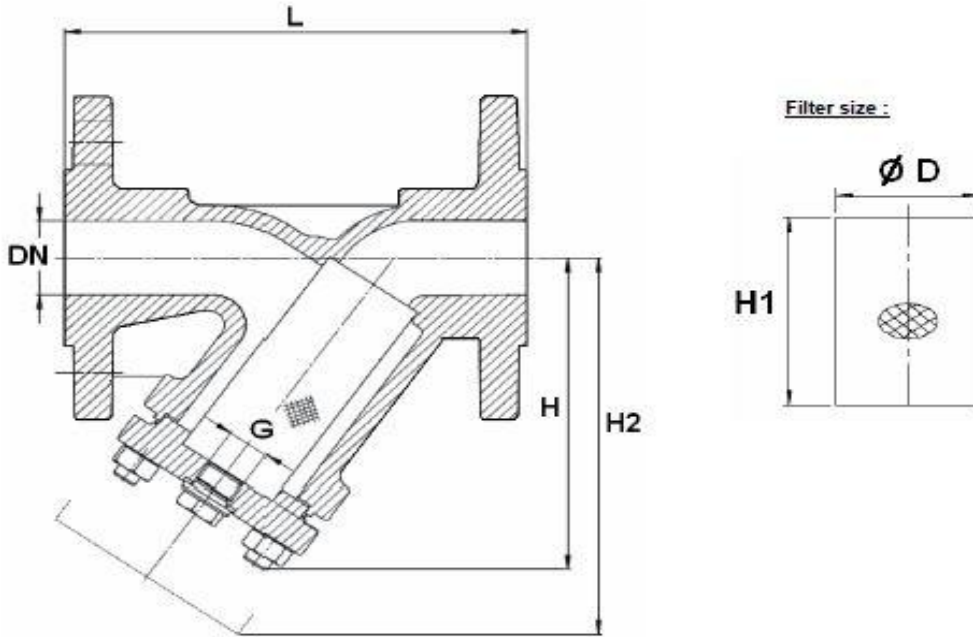


Item	Description	Materials
1	Body	ASTM A 216 WCB
2	Bonnet	ASTM A 216 WCB
3	Filter	SS 304
4	Studs	25CrMo4
5	Nut	C35E
6	Emptying screw	C35E
7	Plug gasket	A4 1.4571
8	Bonnet gasket	Graphite

**REF. 235**

**CARBON STEEL Y STRAINER PN 40**

SIZE ( in mm ) :



	DN	15	20	25	32	40	50	65	80	100	125	150	200
Ref.	L	130	150	180	180	200	230	280	310	350	400	480	600
	H	90	100	115	136	160	180	180	216	236	280	320	406
235	H2	135	150	180	216	240	260	286	330	386	426	480	610
	G ( Cap )	3/8"	3/8"	3/4"	3/4"	1"	1"	1"	1"	1 1/2"	1 1/2"	1 1/2"	1 1/2"
	Ø D	23	28	38	42	60	81.6	78.6	89.6	109.6	137.6	180	210
	H1	68	88	82	88	114	118	134	148	188	188	224	284
	Mech	1	1	1	1	1	1	1.25	1.25	1.8	1.8	1.8	1.8
	Weight ( Kg )	2.85	3.8	4.8	8.8	9.6	11.8	16.8	22.1	31.8	54	76	137

**REF. 235**

**CARBON STEEL Y STRAINER PN 40**

**STANDARDS :**

- Fabrication according to ISO 9001 : 2008
- DIRECTIVE 97/23/CE : CE N° 0062  
Risk Category I from DN32 to DN80  
Risk category II from DN100 to DN200
- Tests according to EN 12266-1
- Length according to DIN 3202 – NF 29354 , EN 558-1 serie 1
- Approval certificate Russian Federation GOST-R
- Flanges according to EN 1092-1 PN40

**INSTALLATION POSITIONS :**

Vertical position ( descending fluid )



Horizontal position



**ADVICE :** Our opinion and our advice are not guaranteed and shall not be liable for the consequences of damages.  
The customer must check the right choice of the products with the real service conditions.