

REF. 695

PLASTIC WATERING BOX




ISO 9001:2000

Size : DN 3/4" to 1"
Ends : Male , Female BSP
Specifications : Cover shutable with pipe inside (Ø 30 mm maxi)
Polypropylene
Angle brass ball valve

Materials : PP box

REF. 695

PLASTIC WATERING BOX

SPECIFICATIONS :

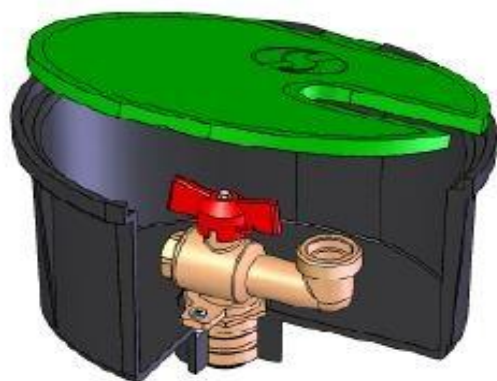
- Cover shutable with pipe inside (Ø 30 mm maxi)
- PP box
- Angle brass ball valve
- Butterfly aluminium handle

USE :

- Watering

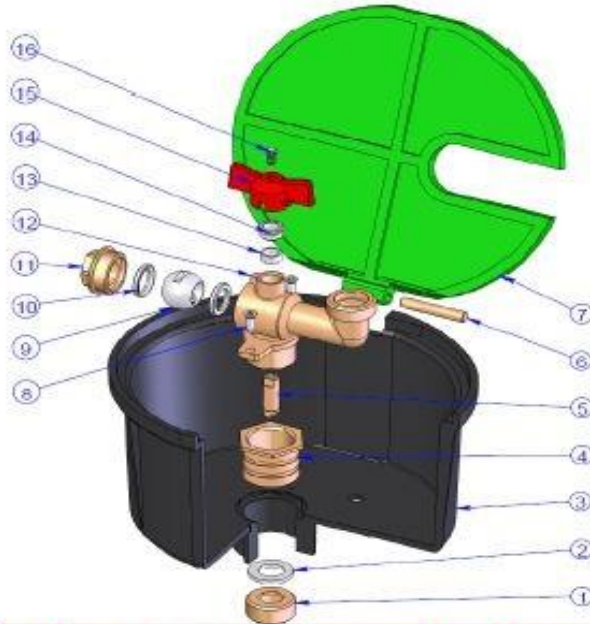
RANGE :

- DN15 , Male exit 3/4" / Hose diameter 3/4"+1/2" Ref. 896016
- DN20 , Male exit 1" / Hose diameter 3/4" Ref. 896020



PLASTIC WATERING BOX

MATERIALS :

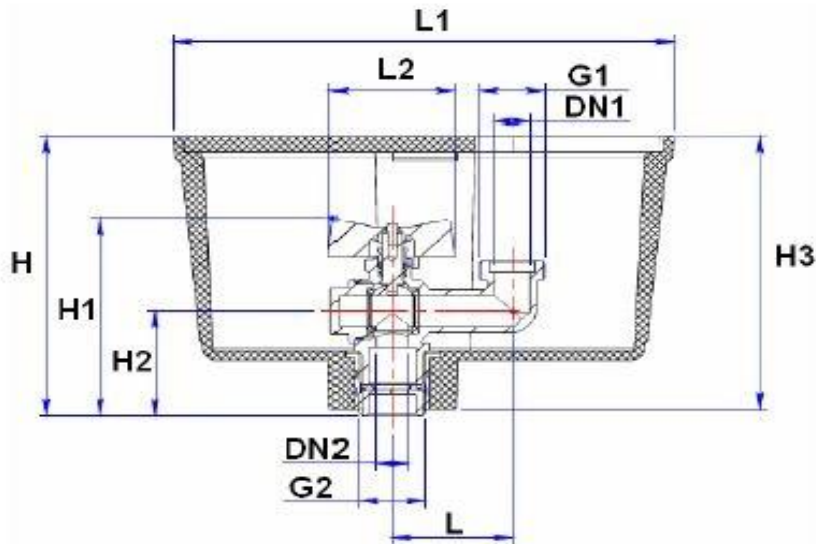


Item	Designation	Materials
1	Reduced nipple M 3/4"- F1/2"	Brass
2	Gasket	NBR
3	Box	PP RAL 9017
4	Take-over	Brass
5	Stem	Brass
6	Pin	Brass
7	Plastic box cover	PP RAL 6002
8	Screw	Q235
9	Ball	Brass
10	Seat	PTFE
11	Ends	Brass
12	Valve body	Brass
13	Packing	PTFE
14	Packing nut	Brass
15	Butterfly handle	Aluminium
16	Screw	Q235

REF. 695

PLASTIC WATERING BOX

SIZE (in mm) :



DN	16	20
G1	3/4"	1"
G2	3/4" (+ 1/2")	3/4"
Ø DN1	14.5	18
Ø DN2	13	13
H	123.7	123.7
H1	87.4	80
H2	48.2	48.2
H3	121	121
L	48	48
Ø L1	200	200
L2	60	60
Weight (Kg)	0.78	0.78

REF. 695

PLASTIC WATERING BOX

STANDARDS :

- Fabrication according to ISO 9001 :2000
- DIRECTIVE 97/23/CE : Products excluded from directive (Article 1, § 3.2)
- Threaded BSP female cylindric and male BSP conic

ADVICE : Our opinion and our advice are not guaranteed and SPERACO shall not be liable for the consequences of damages.
The customer must check the right choice of the products with the real service conditions.

INSTALLATION INSTRUCTIONS

- Please use NBR gasket (item 2) even if you don't use the reduced nipple (item 1)