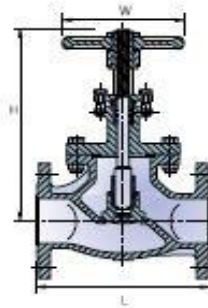
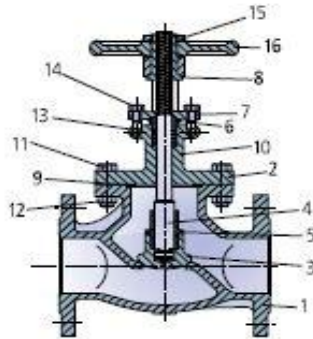


GLOBE VALVE NP 16 FLANGED ENDS DIN NP 10/16

globe valves 76NE are used in many industrial installations for the regulation and stoppage of fluids. Their conception allows working with aggressive fluids and in the most demanding conditions.

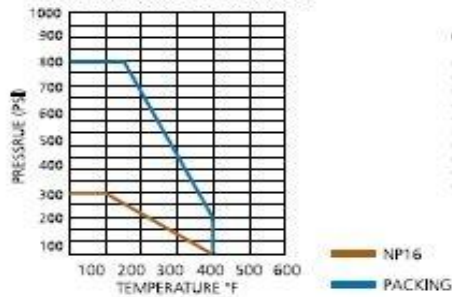
RANGE: from ND15 up to ND300,
FACE TO FACE LENGTH: DIN 3202 F1,
FLANGED: DIN2633 NP 16,

ND	L	H	W	Kgs.
15	130	168	90	5
20	150	168	90	6
25	160	173	100	7
40	200	200	140	11
50	230	230	160	14
65	290	243	180	17
80	310	286	200	22
100	350	325	225	31
125	400	380	250	44
150	480	445	290	71
200	600	545	330	117
250	730	650	350	155
300	850	736	400	180



MATERIALS		
1	BODY	S.S. CF8M
2	CAP	S.S. CF8M
3	STOPPER	S.S. CF8M
4	STEM	S.S. 316
5	DISC NUT	S.S. CF8M
6	PRESS GLAND	S.S. 304
7	GLAND FLANGE	S.S. CF8M
8	YOKE SLEEVE	ASTM A 439
9	GASKET	PTFE
10	PACKING	PTFE
11	BONNET BOLT	A19488
12	BONNET NUT	A19488
13	GLAND NUT	A19488
14	GLAND BOLT	A19488
15	HANDWHEEL NUT	A1948
16	HANDWHEEL	A536

PRESSURE - TEMPERATURE RATING



GENERAL CHARACTERISTICS:

- Investment casting.
- Rising stem.
- Metal / metal seating.
- High mechanical resistance.
- Low pressure drop.
- Total tightness.
- Low torque output.
- Seats and packing made of high resistant teflon.
- Low cost installation and maintenance.
- Temperature between 0°C and 205°C (depending on working pressure).